



SPECIFICATIONS

- RATING :** 2A/36VDC.
- ELECTRICAL LIFE :** 100,000 Make-And-Break cycles at full load.
- INSULATION RESISTANCE :** 1,000MΩ Min. at 500VDC.
- DIELECTRIC STRENGTH :** 2,000V RMS@sea level.
- CONTACT RESISTANCE :** 50mΩ Max. @1A/12VDC(Initial value)
- OPERATION TEMPERATURE :** -20°C~+70°C
- TRAVEL:** About 2.3mm.
- OPERATION PRESSURE :** 4.5N±1.5N
- INGRESS PROTECTION :** IP67
- TORQUE :** 11.5 kgf · cm
- THICKNESS :** 6.0mm (Max.)
- CAP Keeps same high.**
- Current limiting resistor is required to limit LED forward current to 20mA.**

MATERIALS

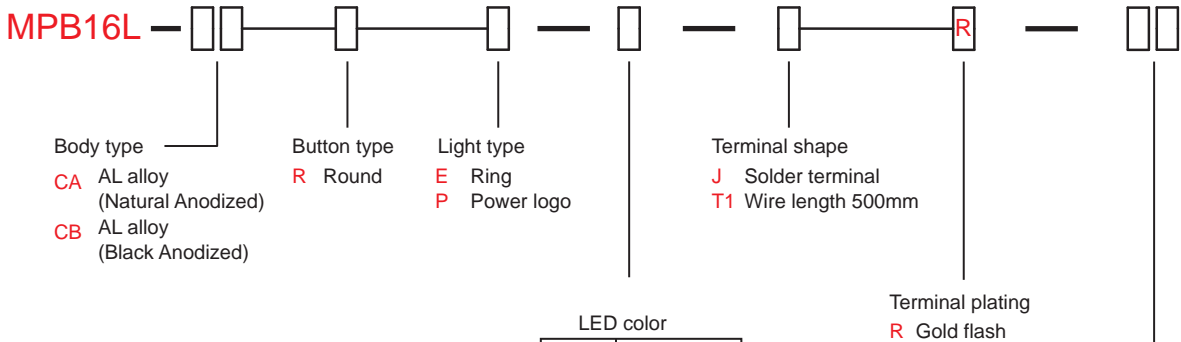
- BUSHING :** Aluminum alloy,Anodized.
- BASE :** Nylon 6/6.
- ACTUATOR :** POM.
- CAP :** PC,Aluminum alloy,Anodized.
- SPRING :** Steel.
- SEALING :** Sillicone.
- O-Ring :** Sillicone.
- TERMINAL :** Brass,Coin silver,Gold flash plated.
- CONTACT :** Brass,Coin silver,Gold flash plated.
- NUT :** Brass(Nickel Plated).

MPB16L Pushbutton Switches



HOW TO ORDER

MODEL NO. BODY TYPE BUTTON TYPE LIGHT TYPE LED COLOR TERMINAL SHAPE TERMINAL PLATING LED VOLTAGE



LED color

ITEM NO	COLOR
00	Without LED
SINGLE COLOR LED	
01	White
03	Red
05	Yellow
06	Green
07	Blue
DUAL COLOR LED	
36	Red&Green
37	Red&Blue
71	Blue&White

Accessories

Resistance (About LED Voltage)	
3V	LED Input Voltage 3VDC (Without Resistance)
6V	LED input 6 VDC,180Ω
12V	LED input 12 VDC,470Ω
24V	LED input 24 VDC,1000Ω

- ※ OFF=Without light
ON=LED Blue light
Ex : 07
- ※ OFF(Red);ON(Green)
Ex : 36

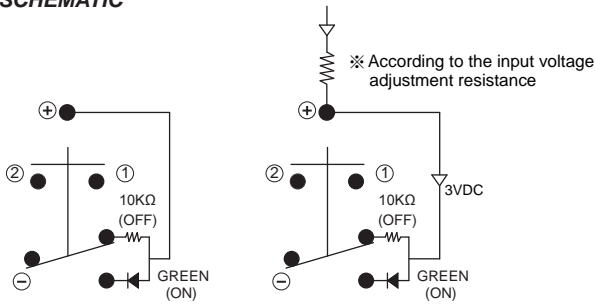
EXAMPLE:
MPB16L-CARE- 00-JR(Without LED)
MPB16L-CARE- []-JR-3V
LED color

MPB16L Series

16mm Metal Pushbutton Switches(LOCK)

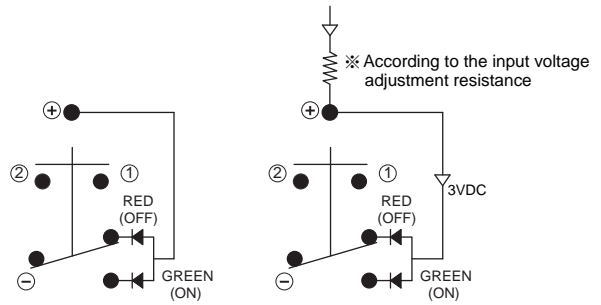
SCHEMATIC / PANEL CUTOUT / HARDWARE

SCHEMATIC



Single Color Led

* Push-OFF, Without light
Push-ON, LED Green light(Latching)

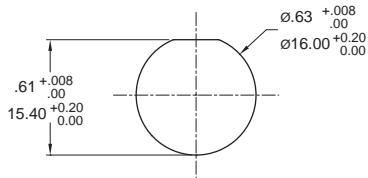


Dual Color Led

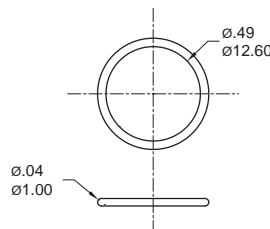
* Push-OFF, LED Red light
Push-ON, LED Green light(Latching)

PANEL CUTOUT

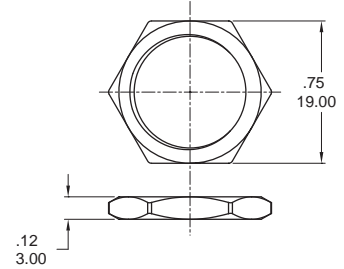
Panel Thickness : 6.0mm Max.



HARDWARE



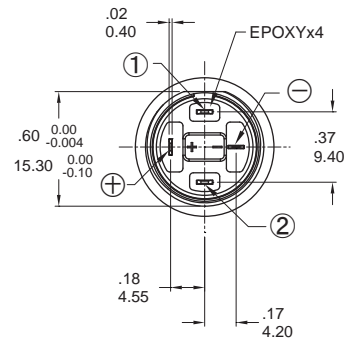
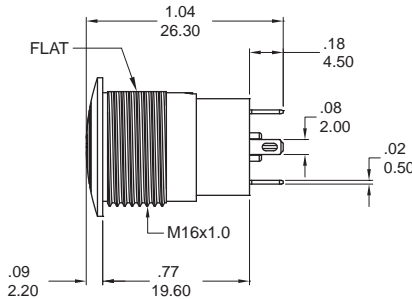
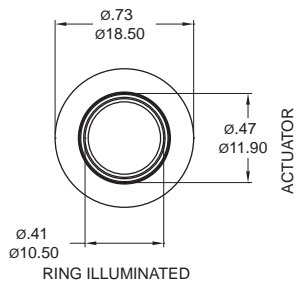
O-RING



NUT

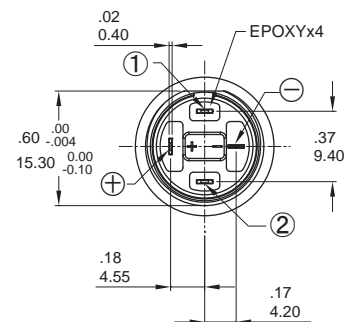
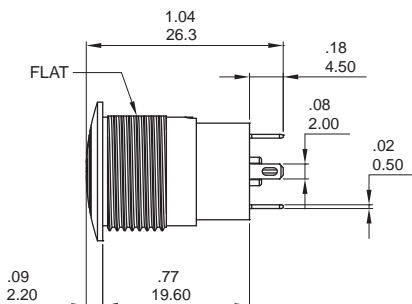
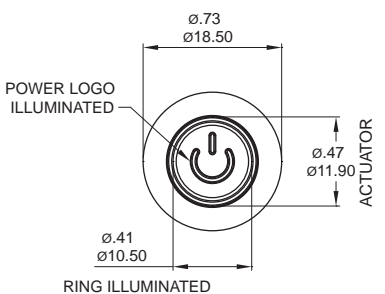
DIMENSION

E Ring



Part No. Shown : MPB16L-CARE-□□-JR-3V

P Power logo



Part No. Shown : MPB16L-CARP-□□-JR-3V